

DATA SHEET

Si-61

Piston Pump

Sauermann® part #: SI61CE02UN23

The Compact Piston Pump

The Si-61 is a piston pump in neutral color, ideal for living spaces, with built-in tank (0,37 l) designed to remove acidic condensates from gas condensing boilers up to 50 kW.

The Sauermann® technology inside the pump enables small particles removal. Together with innovative float, this technology makes the pump fully reliable in a condensing boiler environment.

White color, small size and low noise level make the Si-61 ideal for an installation in a kitchen.



Benefits



Patented technology

- Improved performance and high flow rate reduce operation time and energy consumption
- Proven reliability
- Higher lift capabilities



Resistant to pollution

- Piston pump resistant to acidic condensates
- Capable to remove small particles
- Robust float, rotation is shaft out of water
- IPX4, for a higher protection of mechanical and electrical part



Easy to Install

- Designed for intuitive installation
- Compact size
- Lockable plug-in power cable to avoid unintended disconnection
- 0,37 l tank to collect acidic condensate from gas condensing boilers



Adapted to living spaces

- White color
- Compact size
- Low sound level. Anti-vibration wall-mount bracket with rubber dampers

Kit content

- One-piece piston pump with 0,37 l tank
- Integrated float detection unit
- 1.5 m power plug-in power cable, 2 power wires, 2 safety contact wires
- Inlet rubber adapter Ø int. 15-20-24-32-40 mm (Ø int. 5/8"-3/4"-1"-1 1/4"-1 1/2")
- 5 m of tubing (Ø int. 6 mm - 1/4")
- Drain safe Device
- Self-sealing discharge fitting
- Double wire spring clips (x4)
- 2 screws, 2 plugs





Technical specifications

Flow rate	10 l/h
Tank capacity	0.37 l
Mains supply	230 V~ 50/60 Hz - 10W
Max discharge head	4 m (flow rate: 4.5 l/h - < 50 kW)
Max pressure (flow rate 0)	8 m
Sound level in application at 1m	≤ 28 dBA (Measured in Sauermann acoustic lab, pump operating with water)
Safety switch	NC: 4 A resistive 250 V
Thermal protection (overheating)	Yes: 90°C (auto reset)
Operating conditions	100% continuous duty
Detection levels	ON: 28 mm, OFF: 24 mm Safety: 35 mm
Insulation Class	Double Insulation
IP index	IPX4
Safety standard	CE
RoHS directive	Compliant
WEEE directive	Compliant
Packaging	1.080 kg - L 293 mm x W 136 mm x H 183 mm
Masterpack	5 pieces

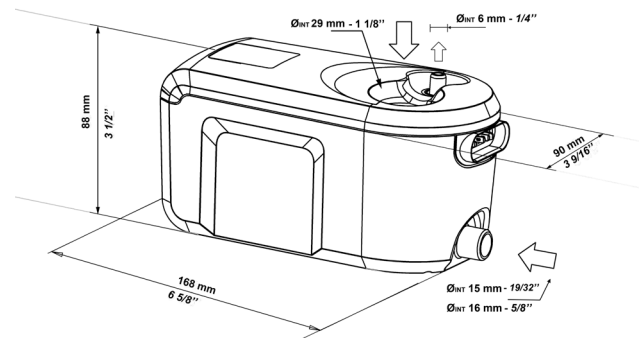
Applications

- For use with gas condensing boilers, up to 50 kW
- Suitable for air-conditioning units, up to 10 kW

Accessories

Name	#Part
 Clear PVC hose Ø int. 6 mm (1/4")	ACC00909: 5 m ACC00910: 50 m
 90° bend connector	ACC00904

Dimensions



Actual flow rate (l/h)

Discharge head	Total tube length using Ø int. 6 mm, 1/4"			
	5 m	10 m	20 m	30 m
0 m	10	9,5	9	8,5
2 m	7	6,5	6	5,5
4 m	4,5	3,5	3	2,5
6 m	-	1,5	1	-