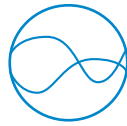




DATA SHEET

# ST 50

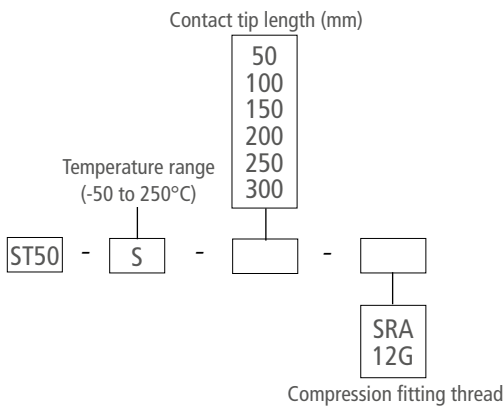
## Temperature probe with standard head and resistive element



Laboratory or on-site calibration options available

### Part number

To order, just add the codes to complete the part number.



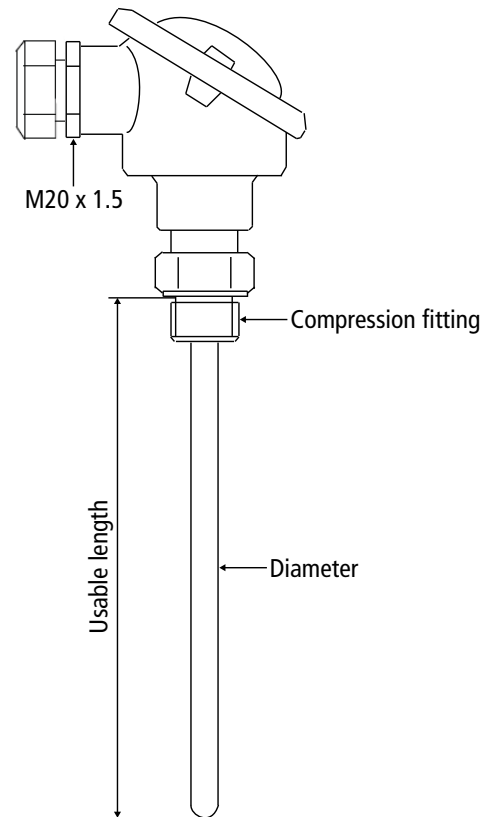
Example: ST50-S-100-12G  
 Model: Class A temperature probe, 3 wires. Stainless steel contact tip  $\varnothing 6$  mm, 100 mm length, with a 1/2" thread plug.  
 Measuring range from -50 to +250°C.

### Technical features

|                            |  |
|----------------------------|--|
| Operating temperature      | From -50°C to +250°C (Pt100)                                 |
| Accuracy                   | As per IEC 60751 (2008) (see table page 2)                   |
| Type of sensor             | Pt100: class A as per IEC 60751 (2008)                       |
| Response time* $T_{63}$    | 8 seconds  |
| Mounting of the element    | 3 wires  |
| Contact tip                | 316 L stainless steel  |
| Fitting process connection | 316 L stainless steel  |
| Thread                     | With or without, 1/2 male BSP                                |
| Electrical connection      | With terminal block, 4/20 mA transmitter as option           |
| Connection head            | Aluminium alloy<br>Cable gland: M20 x 1.5<br>IP65 protection |
| Storage temperature        | From -20°C to +80°C  |

\*Response time carried out in a heated bath.

### Probe dimensions (mm)



## Tolerances of Pt100 probes as per IEC 60751 (2008)

| Temp °C | Tolerances (class A) |        |
|---------|----------------------|--------|
|         | ± °C                 | ± Ohms |
| -100    | 0.35                 | 0.14   |
| -50     | 0.25                 | 0.1    |
| 0       | 0.15                 | 0.06   |
| 100     | 0.35                 | 0.13   |
| 200     | 0.55                 | 0.2    |
| 300     | 0.75                 | 0.27   |
| 400     | 0.95                 | 0.33   |

## Accessories (see specific data sheet)

- Transmitter output 4/20 mA
- Mounting support
- Thermo-conducting silicone grease
- Calibration certificate
- Thermowells