

## VH series INCLINED LIQUID COLUMN MANOMETERS

Pressure / Depression

The VH range of inclined liquid column manometers, developed and manufactured by KIMO, measure slight variations in pressure, depression or differential pressure of air or gas.

They are particularly recommended for checking clogging of filters in the ventilation and dust elimination industry.



### KEY POINTS

- Horizontal V-shaped liquid column.
- Dual measuring range
- Different sensitivity on the two measuring ranges
- Zero adjustment via float
- Compact dimensions
- Integrated spirit level for adjusting horizontality
- Supplied with a white PVC support, 2 screws and 2 rawplugs, two 487 connectors and a bottle of AWS 10 liquid.

### MEASURING RANGE

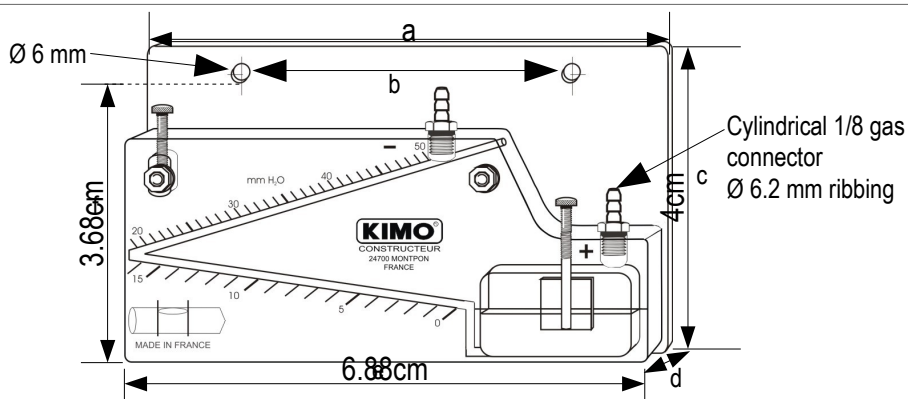
Reference	Measuring range						Sensitivity scale For 1 mm CE or 10 PA		Resolution 1 <sup>st</sup> and 2 <sup>nd</sup> column
	mm CE			Pascal			1 <sup>st</sup> column	2 <sup>nd</sup> column	
	Total	1 <sup>st</sup> column	2 <sup>nd</sup> column	Total	1 <sup>st</sup> column	2 <sup>nd</sup> column			
VH 50	0 – 50	0 – 16	19 – 50	0 – 500	0 – 160	190 – 500	7 mm	3.5 mm	1 mm CE or 10 Pa

The VH 50 also exists in DaPa.

## TECHNICAL FEATURES

<b>Recommended range of use</b>	From +5 to +30°C
<b>Possible range of use</b>	From -30 to +60°C
<b>Maximum static pressure</b>	1 bar
<b>Manometer body</b>	Transparent 15 mm thick Altuglas.
<b>Liquid column</b>	Entirely bored in the solid block, Ø 4 mm.
<b>Graduation</b>	Directly silk-screened onto the rear face.
<b>Zero adjustment</b>	By moving the Altuglas float and the milled, nickel-plated brass screw, travel 10 mm.
<b>Positioning</b>	Horizontal positioning via integrated spirit level and milled, nickel-plated brass adjusting screw, vertical travel 12 mm.
<b>Manometric liquid</b>	AWS 10 red oil, density 0.87 at 15°C.
<b>Reservoir capacity</b>	20 ml
<b>Connection</b>	Ø 5x8 mm semi-rigid crystal tube, on Ø 6.2 mm ribbed, nickel-plated brass connectors, 1/8 gas thread.
<b>Wall-mount</b>	With or without white PVC support.

## DIMENSIONS



Reference	VH 50
a	188 mm
b	120 mm
c	112 mm
d	25 mm
e	182 mm
f	101 mm
Weight	380 g

## MOUNTING

1. **Mount** the manometer on a wall or a vertical partition wall with two maximum **Ø 5 screws**.
2. **Set horizontality** by using the integrated level and the milled adjusting screw.
3. **Unscrew** the connector on the reservoir and **slowly pour the manometric liquid** to zero point on the graduation.
4. **Remount** the connector without overtightening.
5. **Connect** the manometer with the **Ø 5x8 mm** crystal tube to the pressure or depression source to be checked.

### NOTE :

- For a **pressure** measurement..... Connect the crystal tube to the **right-hand connector (+)**  
 For a **depression** measurement..... Connect the crystal tube to the **left-hand connector (-)**  
 For a **differential pressure**..... Connect the highest pressure to the **right-hand connector (+)** and the lowest pressure to the **left hand connector (-)**

### MAINTENANCE :

VH manometers require no special maintenance other than simply changing the reading liquid once a year.

[www.kimo.fr](http://www.kimo.fr)

Distributed by :



**EXPORT DEPARTMENT**

Tel : + 33. 1. 60. 06. 69. 25 - Fax : + 33. 1. 60. 06. 69. 29

e-mail : [export@kimo.fr](mailto:export@kimo.fr)