

# GH 500

## Hygrometry bench

**NEW**

THE HYGROMETRY GENERATOR ALLOWS THE ADJUSTMENT AND CALIBRATION OF MEASURING INSTRUMENTS IN LABORATORY OR ON-SITE.

**DESIGNED FOR PROFESSIONNALS OF METROLOGY**

**Calibration of several instruments simultaneously**

**Solid transport case**

**Aluminium frame**

**Multi-probe ventilated measuring chamber**

**Portable instrument**


**Interchangeable regulating probe**

**User-friendly**



# FEATURES

## MAIN TECHNICAL FEATURES

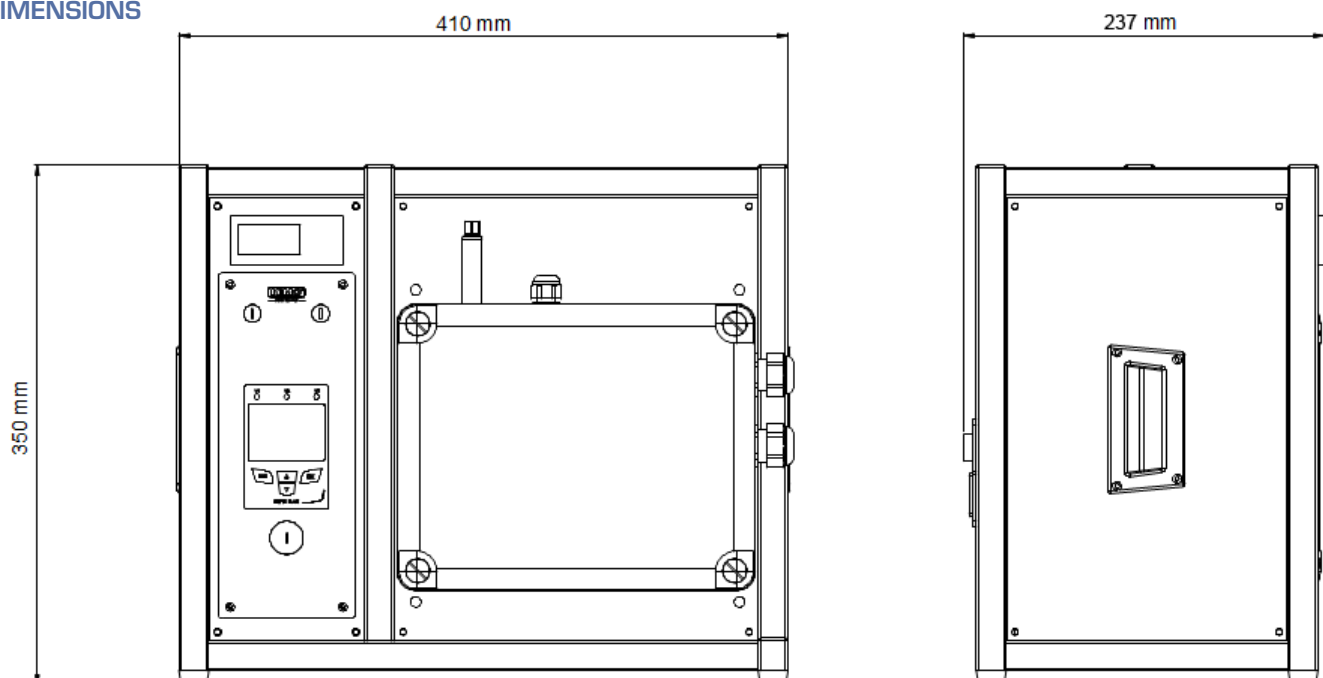
K38 display	4 red digits, height: 12 mm
	3-led bargraph
	Electroluminescent alphanumeric
CPE 310 display	Protection screen made of inactinic red PMMA
	100-240 Vac / 50-60 Hz
Power supply	1 A 250 V time delay fuse
Protection	20 W
Consumption	From 18 to +25° C (as stable as possible)
Operating temperature	From -10 to + 70° C
Storage temperature	Air, non-aggressive gases, non-corrosive gases
Environment	Maximal altitude: 2000 m
	Non-condensation conditions
Weight	9 kg
Conformity	2004/108/EC EMC ; 2006/95/CE Low voltage; 2011/65/EU RoHS II ; 2012/19/EU WEEE
Instrument to connect to earth protection	
Protection class	1
Pollution degree	2
Over-voltage category	2
Protection index	IP 30

## TECHNICAL FEATURES IN MEASUREMENT AND IN HYGROMETRY GENERATION

### GH 500

Measuring range	From 5 to 95%RH and from -20 to +80 °C
Accuracy*in measurement	Hygrometry : - Accuracy (Repeatability, linearity, hysteresis) : ±1.5%RH (from 15°C to 25°C) - Factory calibration uncertainty : ±0.88 %RH - Drift linked to temperature : ±0.04 x (T-20) %RH (if T<15°C or T>25°C)
Generation range	From 10 to 85%RH

## DIMENSIONS



\*All accuracies indicated in this document were stated in laboratory conditions and can be guaranteed for measurements carried out in the same conditions, or carried out with calibration compensation.

## GH 500 IS SUPPLIED WITH :

- 1x PG29 cable gland
- 1x PG21 cable gland
- 1x PG16 cable gland
- 1x PG29-PG16 reducer
- 7x plug sets
- 1x bottle of demineralised water of 250 ml
- 1x bottle for the transport of demineralised water
- 1x bottle of silica gel of 100 g
- User manual
- 1x power supply

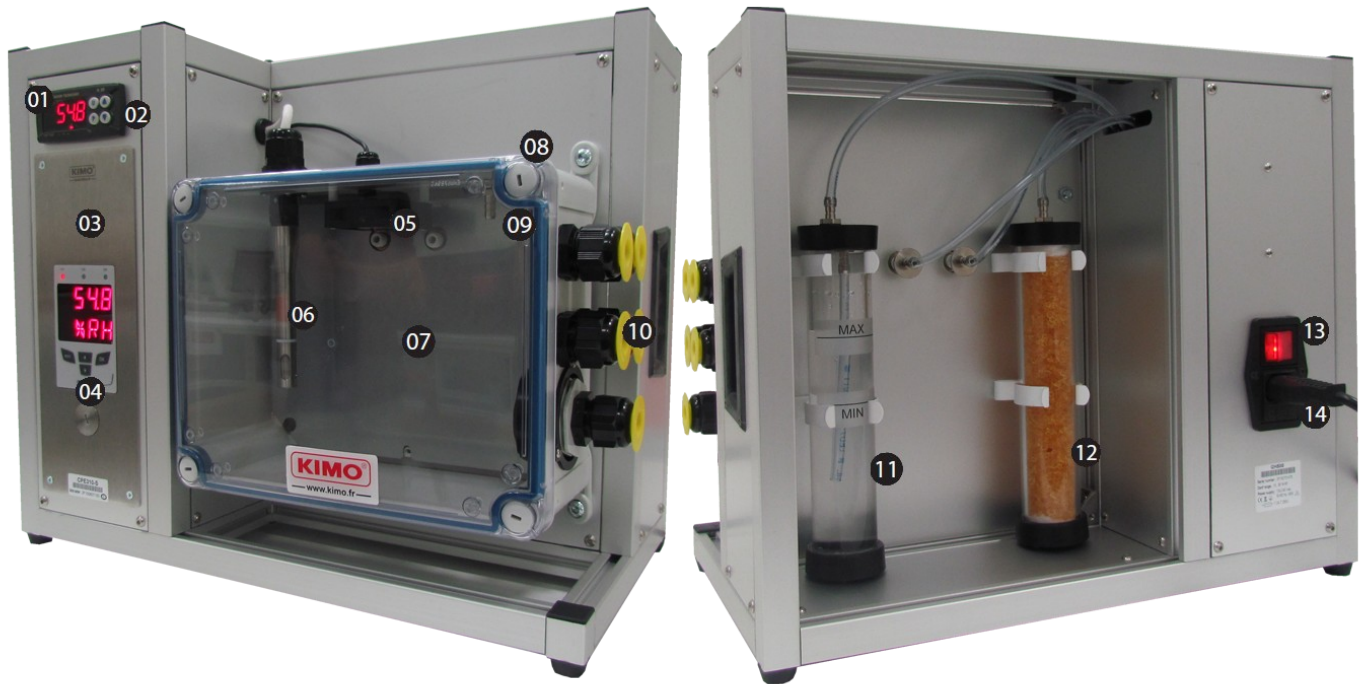
## MAINTENANCE

We carry out calibration, adjustment and maintenance of your devices to guarantee a constant level of quality of your measurements. As part of Quality Assurance Standards, we recommend you to carry a yearly checking.

## WARRANTY

Instruments have 1-year guarantee for any manufacturing defect (return to our After-Sales Service required for appraisal).

# INSTRUMENT DESCRIPTION

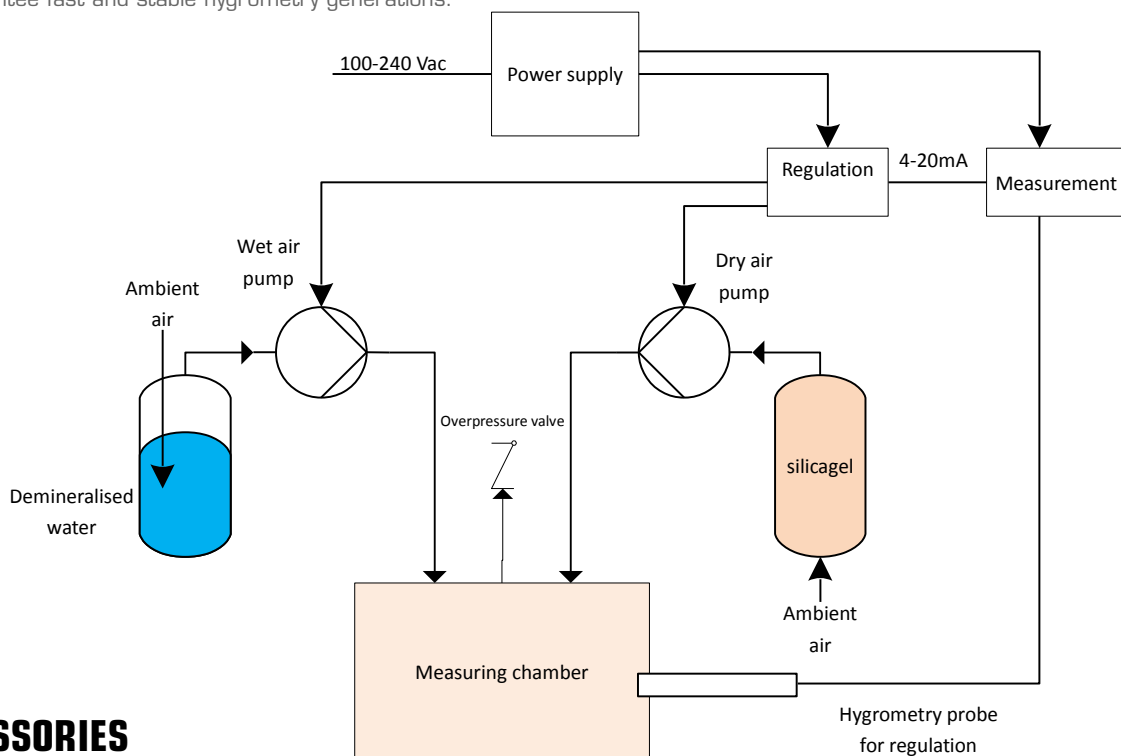


- 01. K38 controller with adjustable setpoints
- 02. K38 keypad : selection of the setpoint value
- 03. CPE 310-S transmitter for measurement of the chamber
- 04. CPE 310-S keypad : configuration of the measurement transmitter
- 05. Blower
- 06. SHSI thermo-hygro measuring probe for CPE 310-S
- 07. Metallic mounting plate to magnetize the instruments

- 08. Anti-overpressure calibrated leakage
- 09. Measuring chamber with front opening
- 10. Cable gland for probes
- 11. Moistening cartridge
- 12. Drying cartridge
- 13. On/Off key
- 14. Power supply

## SIMPLICITY AND STABILITY

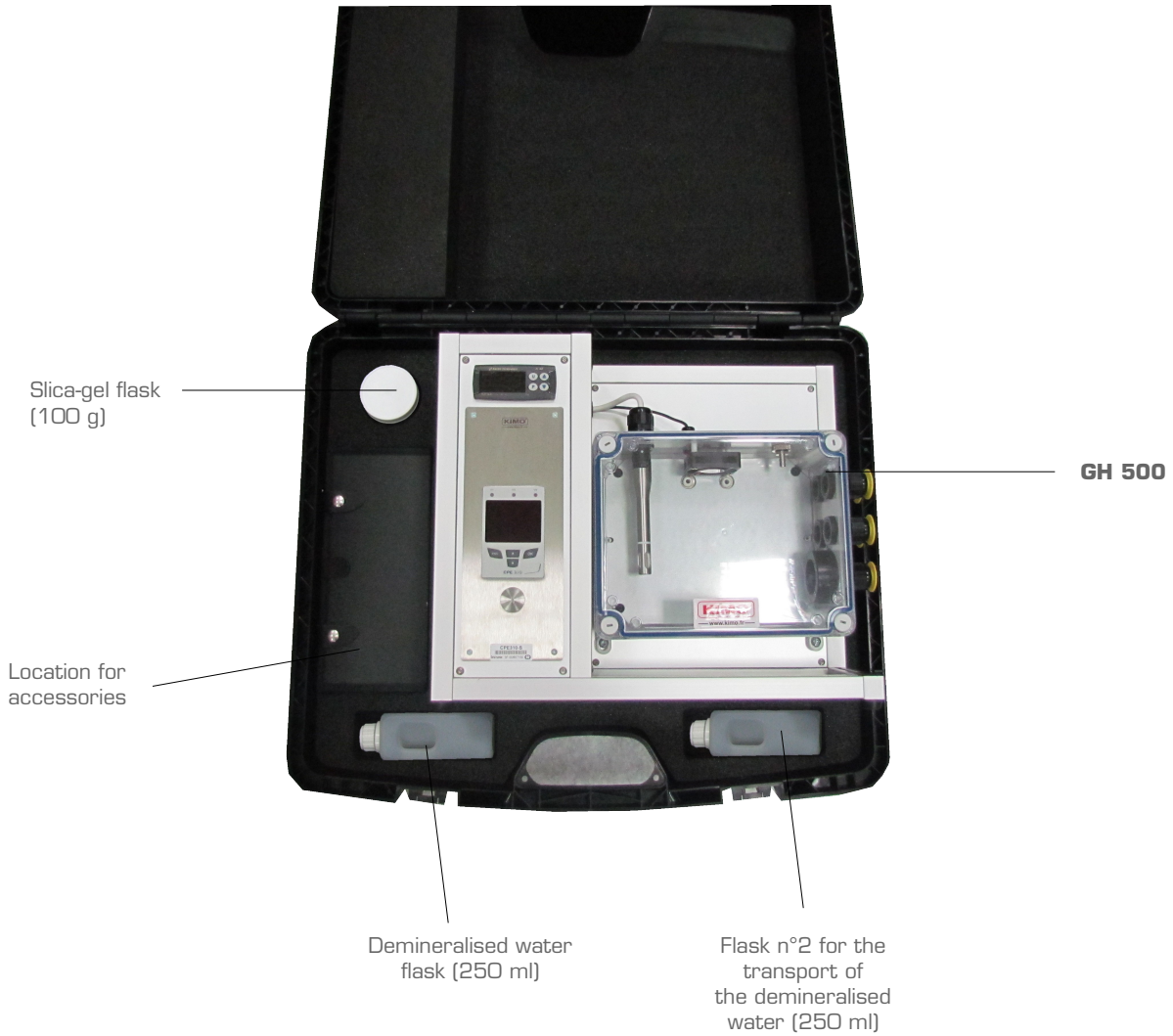
GH500 instrument is the key instrument to adjust and calibrate in ambient air your measuring instruments in hygrometry. Easy-to-use, it will guarantee fast and stable hygrometry generations.



## ACCESSORIES

Please see the accessories features on page 2.

# TRANSPORT CASE



[www.kimo.fr](http://www.kimo.fr)

Distributed by :



**EXPORT DEPARTMENT**  
Tel : + 33. 1. 60. 06. 69. 25 - Fax : + 33. 1. 60. 06. 69. 29  
e-mail : [export@kimo.fr](mailto:export@kimo.fr)