

Manometer MP 110 – MP 111 MP 115 – MP 112

KEY POINTS

- Easy to use
- Adjustable backlight
- Hold-min-max function
- Selection of units
- Manual autozero

TECHNICAL FEATURES

Measuring elements	Piezoresistive sensor
Tolerated overpressure	MP 110 : 250 mbar / MP 111 : 700 mbar MP 115 : 1.4 bar / MP 112 : 3 bar
Connector	MP 110 / 111 : Ø 6.2 mm barbed connectors made of nickelled brass MP 115 / 112 : Ø 4.6 mm threaded connectors of nickelled brass
Display	4 lines, LCD technology. Sizes 50 x 36 mm. 2 lines of 5 digits with 7 segments (value) 2 lines of 5 digits with 16 segments (unit)
Housing	ABS, protection IP54
Keypad	5 keys
Conformity	Directives EMC 2004/108/CE and EN 61010-1
Power supply	4 batteries AAA LR03 1.5 V
Autonomy	180 hours
Ambience	Neutral gas
Operating temperature	From 0 to +50 °C
Storage temperature	From -20 to +80 °C
Auto shut-off	Adjustable from 0 to 120 min
Weight	220 g



PRESSURE SPECIFICATIONS

Models	Measuring units	Measuring range	Accuracy ¹	Resolution
MP 110	Pa, mmH ₂ O inWg, daPa	From -1000 to +1000 Pa	±0.5% of reading ±2 Pa	1 Pa
MP 111	kPa, mmH ₂ O, inWg, mbar, mmHg, daPa	From -1000 to +1000 mmH ₂ O	±0.5% of reading ±2 mmH ₂ O	De 0 à ±200 mmH ₂ O : 0,1 mmH ₂ O Au delà : 1 mmH ₂ O
MP 115	kPa, inWg, mbar, mmHg, PSI	From -500 to +500 mbar	±0.5% of reading ±0.5 mbar	0.1 mbar
MP 112	kPa, inWg, mbar, mmHg, PSI, bar	From -2000 to +2000 mbar	±0.5% of reading ±2 mbar	1 mbar

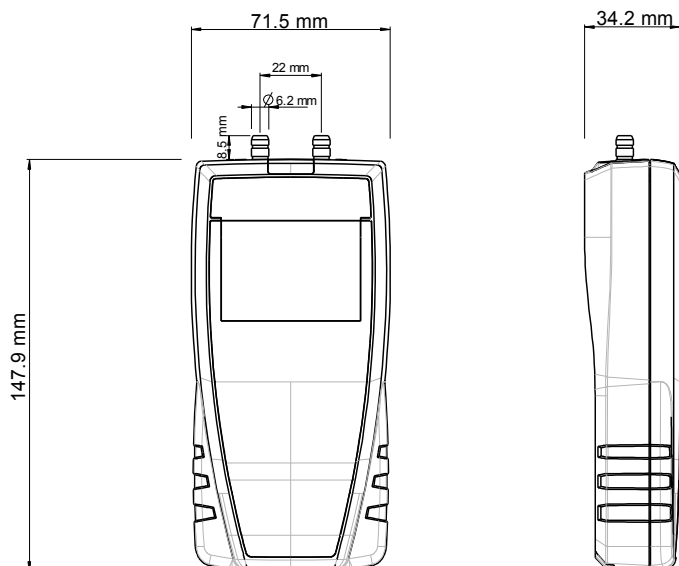
¹All the accuracies indicated in this technical datasheet were stated in laboratory conditions, and can be guaranteed for measurements carried out in the same conditions, or carried out with calibration compensation

FUNCTIONS

- Pressure measurement
- Selection of units
- Manual autozero
- Hold function
- Display of minimum and maximum values
- Configurable Auto shut-off
- Backlight

*Except class 110 S

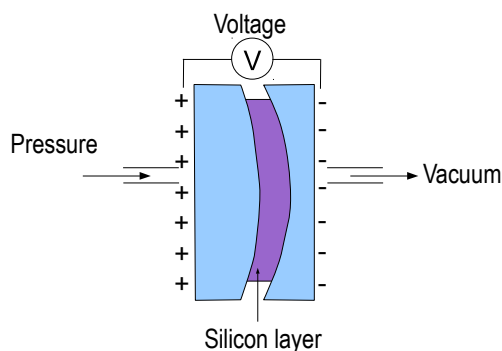
DIMENSIONS



OPERATING PRINCIPLES

Piezoresistive sensor

The pressure deforms the silicon layer. This layer deformation generates a voltage at its terminates. This voltage is proportional to the pressure applied.



SUPPLIED WITH

Instruments are supplied with:

- Calibration certificate*
- 2x1 m of silicon tube $\varnothing 4 \times 7$ mm
- Stainless steel tip $\varnothing 6 \times 100$ mm
- Transport case (ref : ST 110)



*Except class 110 S

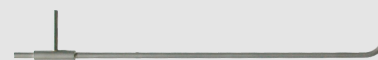
ACCESSORIES

CQ 15 : Magnetic protective housing



JTC ou JTY : Straight junctions, in T or Y for tube $\varnothing 5 \times 8$ mm

Pitot tube : Different lengths, $\varnothing 3/6$ or 8mm, bent or straight



MT 51 : ABS transport case



MAINTENANCE

We carry out calibration, adjustment and maintenance of your instruments to guarantee a constant level of quality of your measurements. As part of Quality Assurance Standards, we recommend you to carry out a yearly checking.

GUARANTEE

Instruments have 1-year guarantee for any manufacturing defect (return to our After-Sales Service required for appraisal).

www.kimo.fr

Distributed by :



EXPORT DEPARTMENT

Tel : + 33. 1. 60. 06. 69. 25 - Fax : + 33. 1. 60. 06. 69. 29

e-mail : export@kimo.fr